

KOLLU PANO KİLİTLERİ

SWING HANDLES

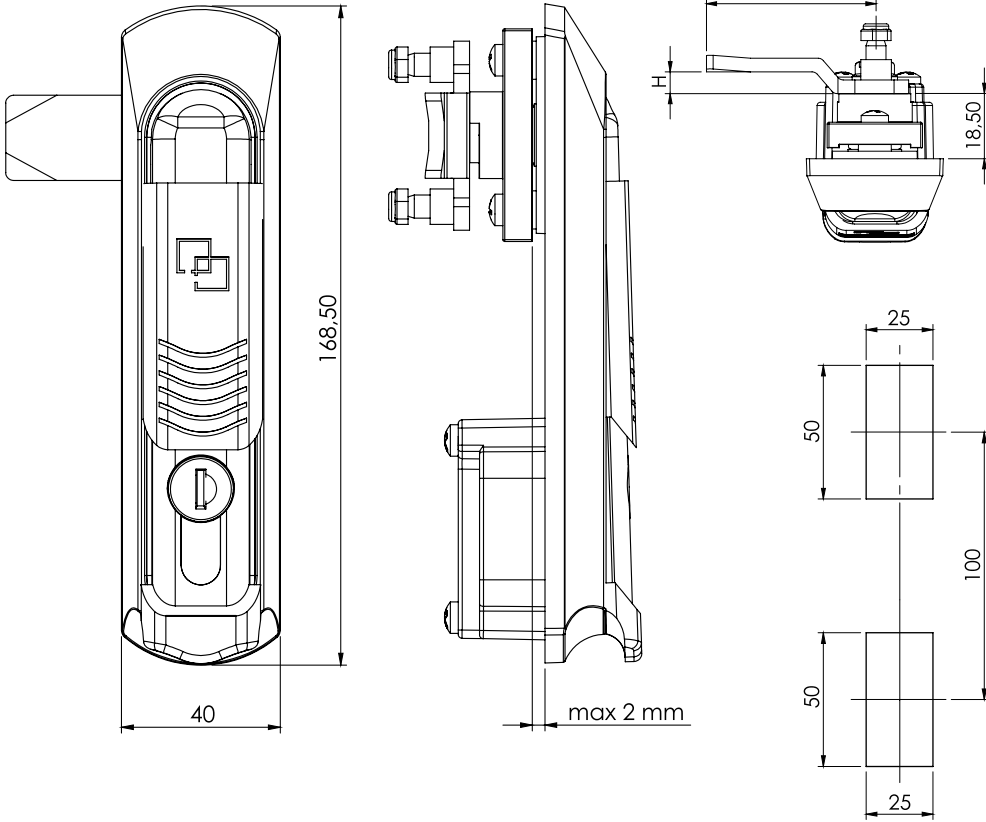
IP65

L / R



Kollu Pano Kilidi / Swing Handle

002-2



Asma Kilit
Padlock Device Selectable

Kod
Code
002-2

Barel
Cylinder
CC

Dil
Cam
CM

Asma Kilit için
A
Padlock Device

KULLANIM ALANLARI:

Elektrik Panoları, Makine Kapakları,
Bilgisayar Kabinleri

APPLICATIONS:

Electric Panels, Machinery Covers,
Rack Cabinets

BAREL / CYLINDER TYPE (CC)	CODE
Aynı Şifreli / Keyed Alike	01
Farklı Şifre / Keyed Different	02
Eurokey (1333)	03

İSP. TIRNAKLI DİLLER / CAMs FOR ROD CONTROL (CM)							
CODE	03	020	053	054	055	064	
H	8	0	0	12	4	0	
L	49	51	60	54	52	55	

TIRNAKLI DİLLER / CAMs WITH STOPPER (CM)														
CODE	01	02	05	06	07	08	09	010	019	043	045	046	086	
H	14	24	0	16	6	12	0	7	0	0	4	10	6	
L	48	48	46	46	52	50	54	44	64	44	43	48	62	

BAREL / CYLINDER TYPE (CC)

04	5 mm / DB	
05	8 mm Kare / Square	
06	9 mm Üçgen / Triangle	
08	10,5 mm Yarım Ay Half Round	

MALZEME / MATERIAL

GÖVDE BODY	Poliamid Polyamide
KOL HANDLE	Poliamid Polyamide
DİL CAM	Çelik Steel
CONTA SEAL	Poliüretan Polyurethane