

# KOLLU PANO KİLİTLERİ

SWING HANDLES

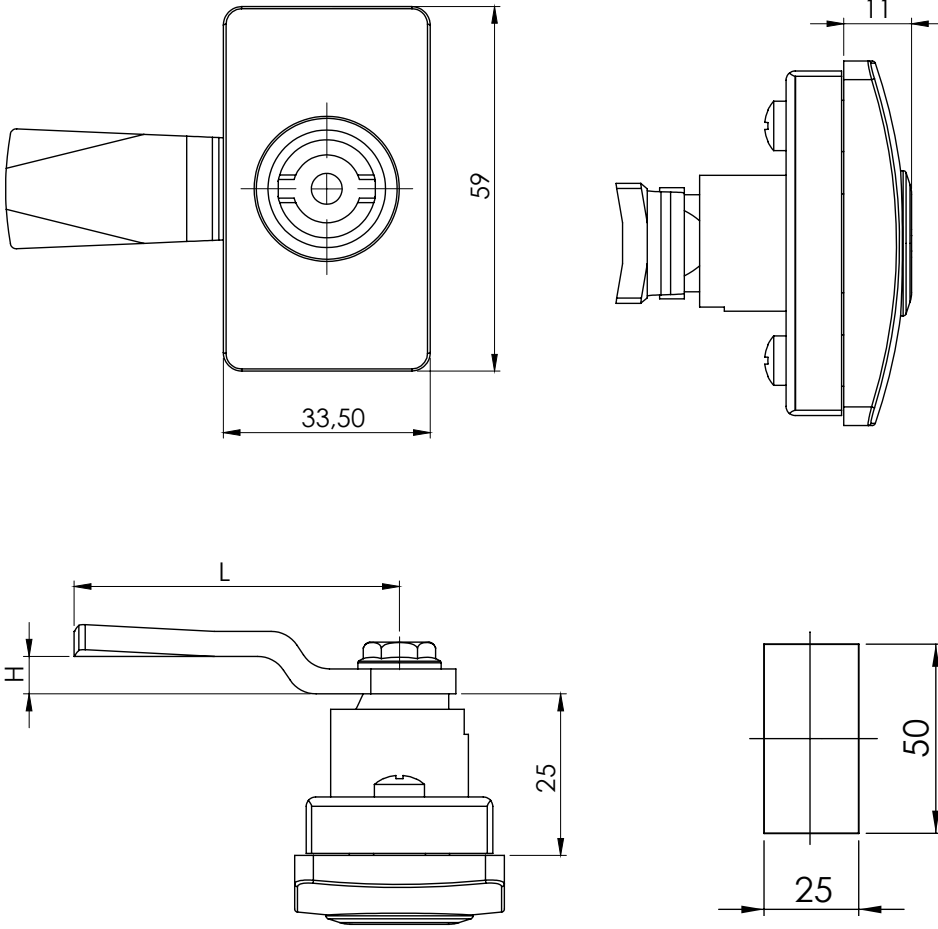
IP65

L / R



Pano Kilidi / Swing Handle

210-1



Kod  
Code

210-1

Barel  
Cylinder

19

Dil  
Cam

CM

## KULLANIM ALANLARI:

Elektrik Panoları, Makine Kapakları,  
Bilgisayar Kabinleri

## APPLICATIONS:

Electric Panels, Machinery Covers,  
Rack Cabinets

İSP. TIRNAKLI DİLLER / CAMS FOR ROD CONTROL (CM)							
CODE	03	020	053	054	055	064	
H	8	0	0	12	4	0	
L	49	51	60	54	52	55	

TIRNAKLI DİLLER / CAMS WITH STOPPER (CM)														
CODE	01	02	05	06	07	08	09	010	019	043	045	046	086	
H	14	24	0	16	6	12	0	7	0	0	4	10	6	
L	48	48	46	46	52	50	54	44	64	44	43	48	62	

## BAREL / CYLINDER TYPE (CC)

19

5 mm / DB



## MALZEME / MATERIAL

GÖVDE BODY	Poliamid Polyamide
MEKANİZMA MECHANISM	Poliamid Polyamide
DİL CAM	Çelik Steel
CONTA SEAL	Poliüretan Polyurethane