

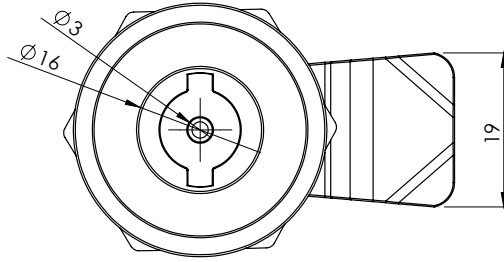
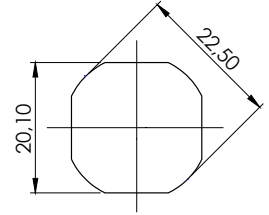
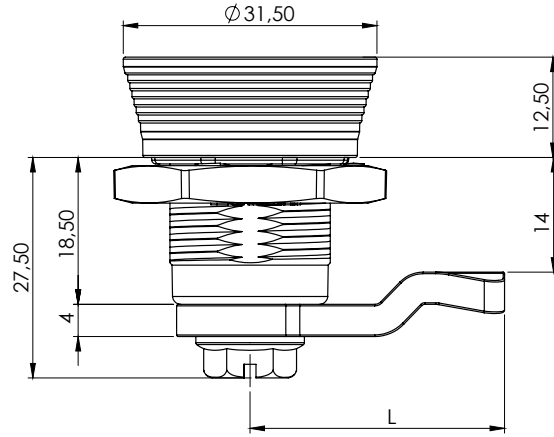
YAYLI PANO KİLİTLERİ

QUARTER TURN CAM LOCKS

200

Yaylı Pano Kilidi / Quarter Turn Cam Locks

IP65

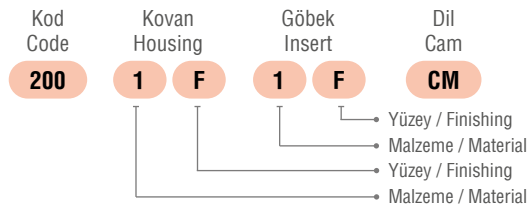


KULLANIM ALANLARI:

Elektrik Panoları, Makine Kapakları

APPLICATIONS:

Electric Panels, Machinery Covers



MALZEME / MATERIAL	
KOVAN HOUSING	Zamak Zinc Die
GÖBEK INSERT	Zamak Zinc Die
SOMUN NUT	Zamak Zinc Die
DİL CAM	Çelik Steel

YÜZEY / FINISHING	CODE
Krom Kaplama / Chrome Plated	1
Siyah Toz Boya / Black Powder Coated	2
Ral 6034 / Ral 6034 Powder Coated	13

MALZEME / MATERIAL		CODE					
Zamak / Zinc Die		1					
İSP. TIRNAKSIZ DİLLER / WITHOUT STOPPER CAMS FOR ROD CONTROL (CM)							
	CODE	03	020	053	054	055	064
	H	8	0	0	12	4	0
	L	49	51	60	54	52	55

TIRNAKSIZ DİLLER / CAMS WITHOUT STOPPER (CM)															
	CODE	01	02	05	06	07	08	09	010	019	043	045	046	086	096
	H	14	24	0	16	6	12	0	7	0	0	4	10	6	-4
	L	48	48	46	46	52	50	54	44	64	44	43	48	62	32