

YANGIN DOLAP KİLİTLERİ

FIRE CABINET LOCKS

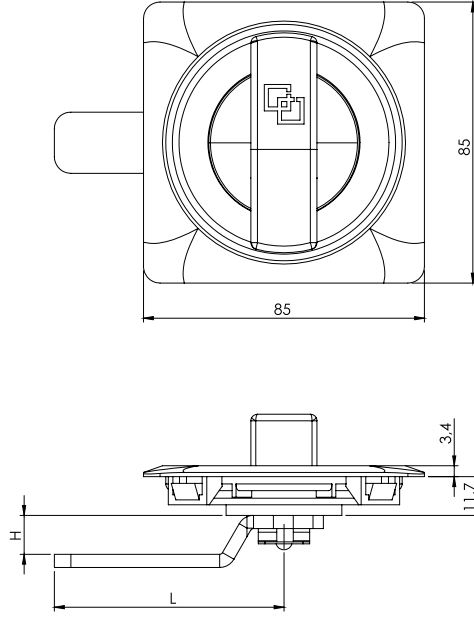
106

Yangın Dolap Kilidi / Fire Cabinet Lock



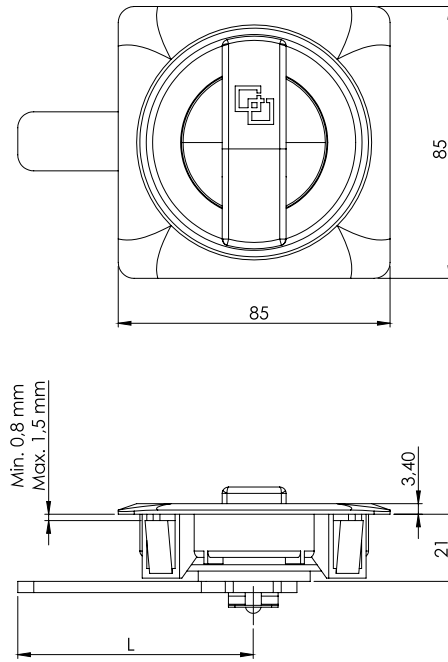
VERSION

V5



VERSION

V6



KULLANIM ALANLARI:

Yangın Dolapları, Makine Kapakları

APPLICATIONS:

Fire Cabinets, Machinery Covers

MALZEME / MATERIAL	
GÖVDE BODY	Poliamid Polyamide
KOL HANDLE	Zamak Zinc Die
DİL CAM	Çelik Steel

Kod
Code

106

Version

V

Yüzey
Finishing

F

Dil
Cam

CM

DİLLER / CAMS (CM)

CODE	034
H	0
L	36

DİLLER / CAMS (CM)

CODE	035	050	072
H	8	0	10
L	71	74	69

YÜZEY / FINISHING

CODE

Krom Kaplama / Chrome Plated	1
Siyah Toz Boya / Black Powder Coated	2
Ral 7035 Toz Boya / Ral 7035 Painted	5